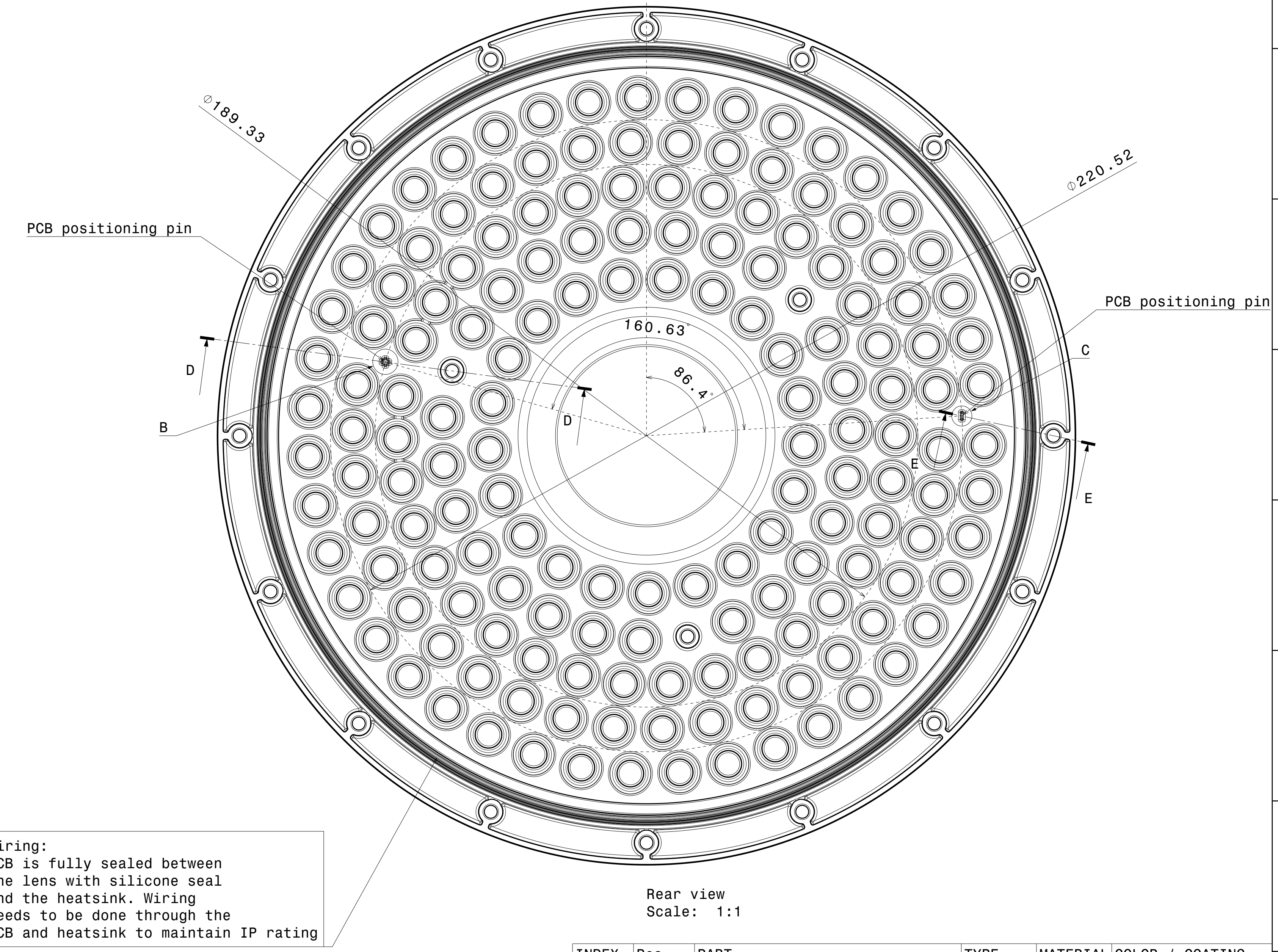
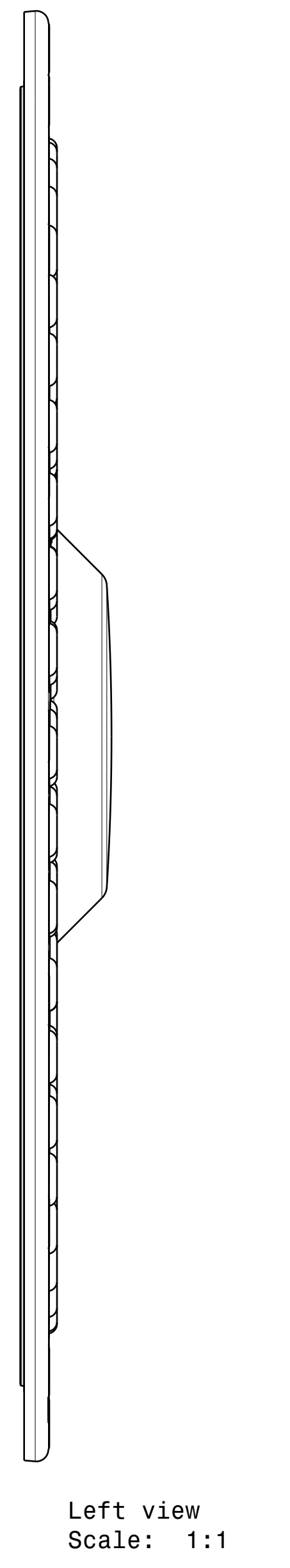
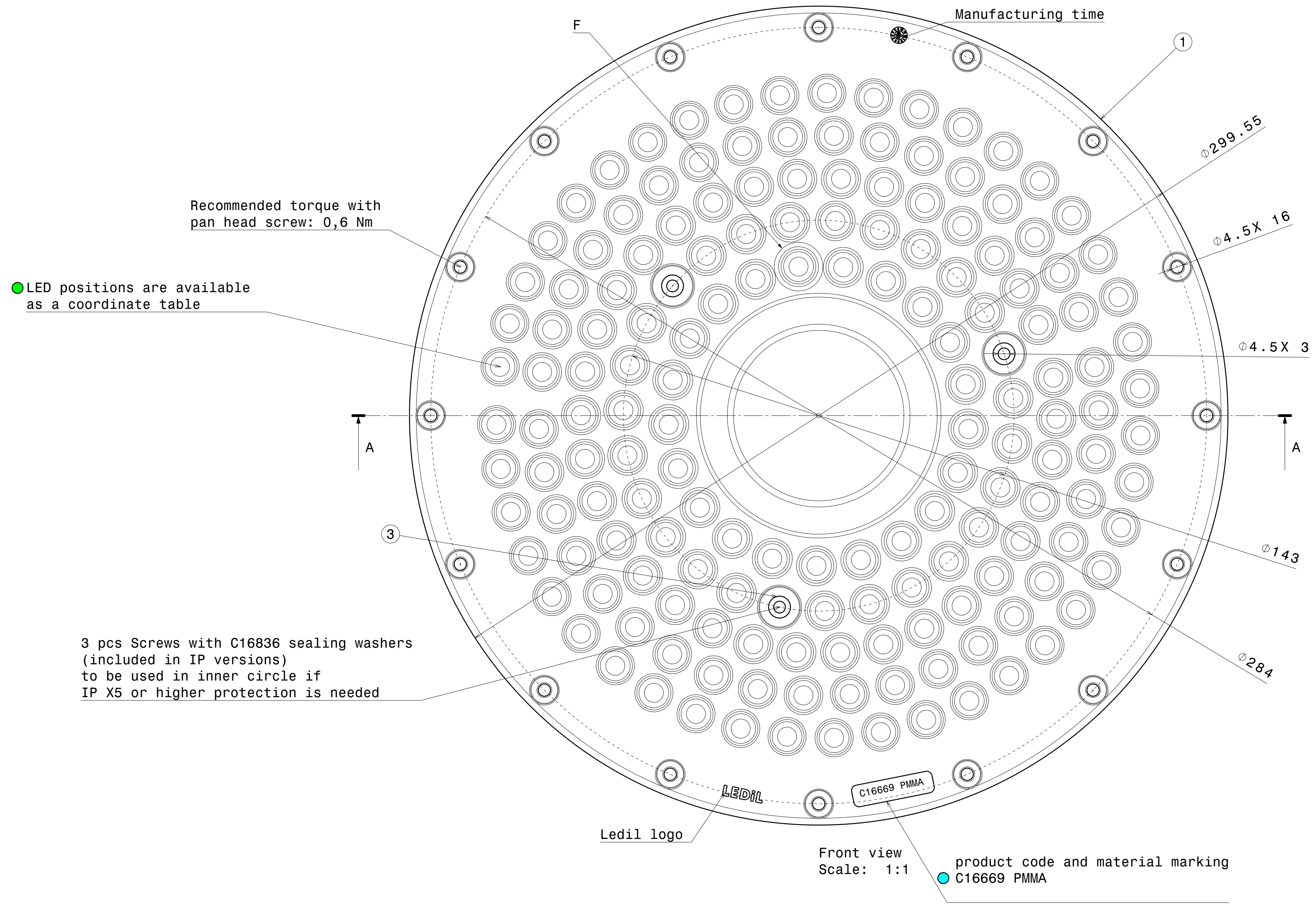
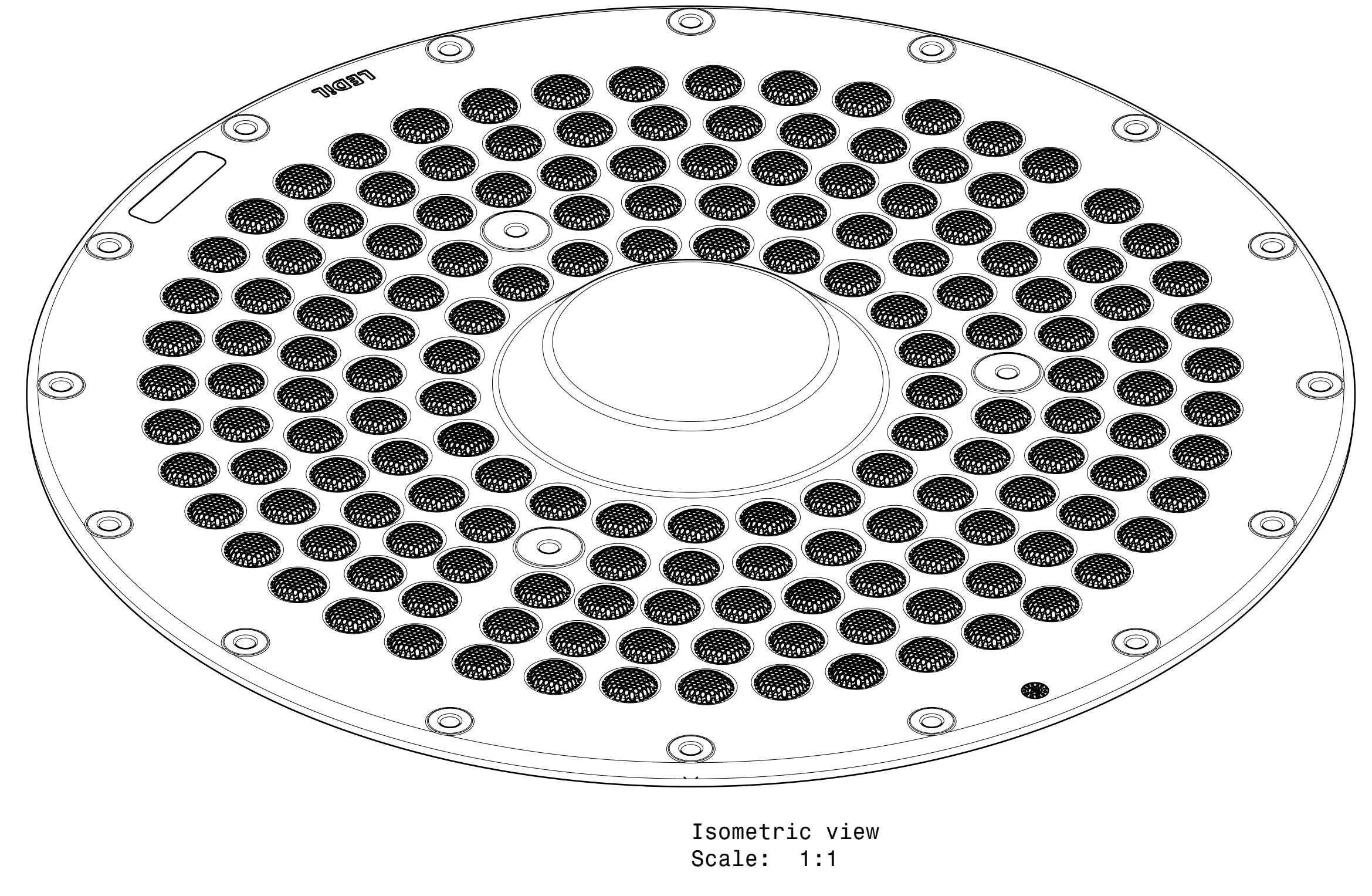
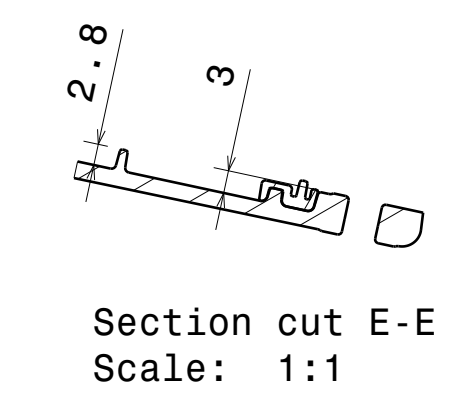
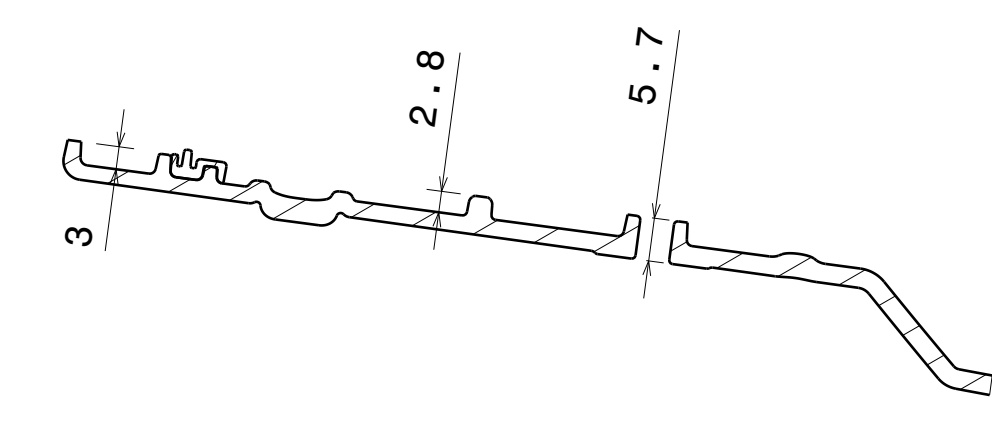
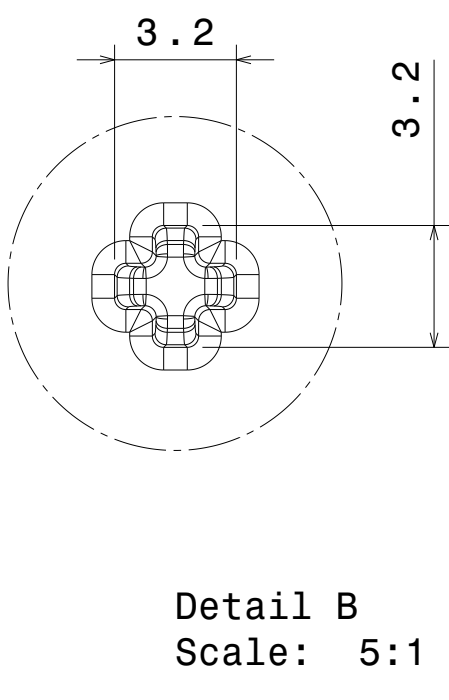
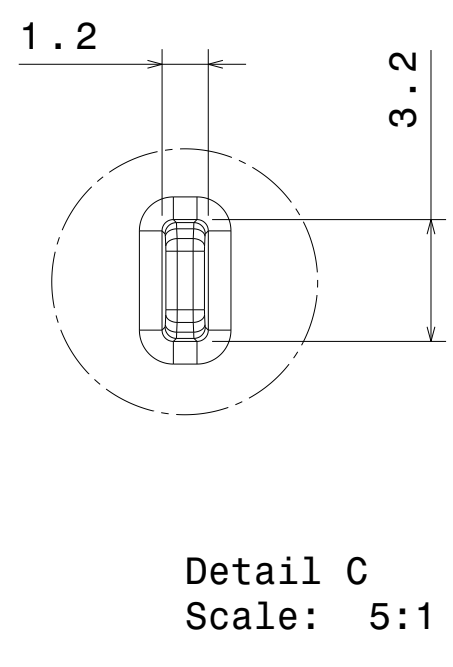
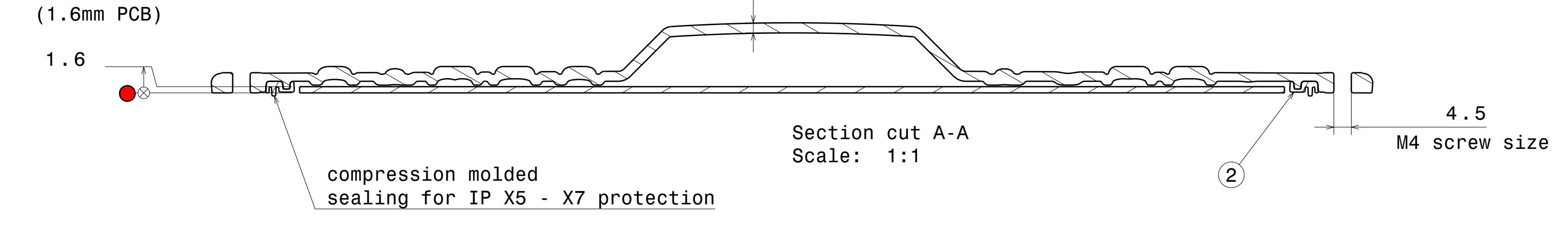


Silicone seal is tested to work in LEDiL test assemblies. Customer is recommended to test the sealing in the end product due many variables, such as heat sink surface and possible chemical traces



Notes

- PCB or heatsink level.
- LED location
- Ensure LED fitting from a product specific 3D model available from www.ledil.com
- For more details about installation please see LEDiL Installation Guide on www.ledil.com

INDEX	Pcs	PART	TYPE	MATERIAL	COLOR / COATING
1	1	C16669_VICTORIA-WWW	Lens	PMMA	Clear
2	1	C16805_VICTORIA-SEAL	Seal	Silicone	White
3	3	C16836_VICTORIA-O-RING	Seal	PA	Clear

MECHANICAL DRAWING

PRODUCT
CS16839_VICTORIA-IP-WWW

SCALE 1:1

WEIGHT 229g

AO SHEET 1/1

LEDiL

This drawing is the property of LEDiL Oy. It may not be copied or otherwise distributed without prior written permission from LEDiL Oy.